

AV2146/AV3146

1080p or 3-Megapixel WDR H.264 IP MegaBall™ Camera

1080p WDR MegaBall™ Day/Night Series

AV2146DN-04-W	4mm Lens, Wall Mount
AV2146DN-3310-W	3.3–10mm Lens, Wall Mount
AV2146DN-04-D	4mm Lens, Dome
AV2146DN-3310-D	3.3–10mm Lens, Dome

3MP WDR MegaBall™ Day/Night Series

AV3146DN-04-W	4mm Lens, Wall Mount
AV3146DN-3310-W	3.3–10mm Lens, Wall Mount
AV3146DN-04-D	4mm Lens, Dome
AV3146DN-3310-D	3.3–10mm Lens, Dome



Wall Mount Model



Dome Model



True Wide Dynamic Range Camera

WDR up to 100dB Allowing Users to See Clearly in Shaded and Bright Light Conditions Simultaneously

All-in-One Indoor 3" Ball Shape Solution: Integrated H.264 Megapixel Camera, 3.3–10mm or 4mm Lens and Wall Mount Bracket or Dome Solutions

Arecont Vision Advantages:

- All-in-One H.264 MegaBall™ Indoor Solution
- Day/Night Functionality
- Fixed Focal and Vari-Focal Lens Options
- Wall Mount Bracket and Dome Configurations
- Dome Version Accommodates In-Ceiling and Surface Mounting
- Installer Friendly:
 - External Lens Adjustment
 - Cable Management
 - 3-Axis Adjustment
 - Bubble Option
- Dual Encoder H.264/MJPEG
- PSIA and ONVIF Conformant
- Binning Mode Improves Low-Light Performance in 3MP Versions
- New User-Friendly Webpage
- 1024-Zone Motion Detection and Privacy Mask
- Bit Rate Control, Multi-Streaming and Forensic Zooming
- PoE and Auxiliary Power: 12–48V DC/24V AC
- True Day/Night Functionality with Removable IR Cut Filter

Model Numbers

- AV2146DN-04-W** 1080p WDR D/N, 4mm Lens, Wall Mount
- AV2146DN-3310-W** 1080p WDR D/N, 3.3–10mm Lens, Wall Mount
- AV2146DN-04-D** 1080p WDR D/N, 4mm Lens, Dome
- AV2146DN-3310-D** 1080p WDR D/N, 3.3–10mm Lens, Dome

- AV3146DN-04-W** 3MP WDR D/N, 4mm Lens, Wall Mount
- AV3146DN-3310-W** 3MP WDR D/N, 3.3–10mm Lens, Wall Mount
- AV3146DN-04-D** 3MP WDR D/N, 4mm Lens, Dome
- AV3146DN-3310-D** 3MP WDR D/N, 3.3–10mm Lens, Dome

Imaging

- 2.07 megapixel effective CMOS image sensor (AV2146)
- 3 megapixel CMOS image sensor (AV3146)
- 1/3.2" optical format, 2.2 μm pixel pitch
- Progressive Scan
- Minimum illumination of:
 - Color (non-binning): 0.3 Lux @ F1.6
 - Color (binning): 0.15 Lux @ F1.6
 - Day/Night: 0 Lux, IR sensitive
- Dynamic range up to 100dB
- Maximum SNR 49dB

Full Field-of-View (FOV) Resolution

Mode Numbers	Full FOV Resolution	1/4 Resolution
AV2146	1080p 1920 (H) x 1080 (V)	960 (H) x 540 (V)
AV3146	3MP 2048 (H) x 1536 (V)	1024 (H) x 768 (V)

Lens

- 4mm, F1.6, 1/2.5" (-04 models):
 - H-FOV: 63° (AV2146)/68° (AV3146)
- 3.3–10mm, F1.6, 1/2.5" (-3310 models):
 - H-FOV: 73–26° (AV2146)/78–28° (AV3146)

Cropped (FOV) Resolution

- Flexible Cropping: Crop to 2 pixels in H.264 and 1 pixel in JPEG
- 1920x1200 WUXG (AV3146)
 - 1280x1024 1.3MP
 - 1920x1080 HDTV - 1080p (AV3146)
 - 1280x720 HDTV - 720p
 - 1600x1200 2MP (AV3146)
 - 640x480 VGA

Data Transmission

- Video frame rate up to:
 - 21fps @ 2048x1536 (AV3146)
 - 31fps @ 1600x1200 (AV3146)
 - 30fps @ 1920x1080
 - 41fps @ 1280x1024
- In binning mode up to:
 - 21fps @ 1024x768 (AV3146)
 - 27fps @ 800x600 (AV3146)
 - 31fps @ 860x540 (AV3146)
 - 32fps @ 640x512 (AV3146)
- Compression type:
 - H.264 (MPEG-4, Part 10)/Motion JPEG
 - 21 levels of quality
- RTSP, RTP/TCP, RTP/UDP (Unicast/Multicast), HTTP, DHCP, TFTP image transmission protocols
- 100 Base-T Ethernet Network Interface
- Multi-streaming: 8 non-identical streams

Environmental

- Operating temperature: -5°C (23°F) to +50°C (122°F)
- Stable image temperature: 0°C (32°F) to +50°C (122°F)
- Storage temperature: -20°C (-4°F) to +60°C (140°F)
- Humidity: 0% to 90% (non-condensing)

Compliance

- Class A FCC, Part 15; EN55022 Class A, RoHS, REACH, EN55024, EN61000-3-2, EN61000-3-3, EN60950
- CE Mark, UL Listed
- WEEE

Industry Standard

- PSIA and ONVIF Conformant

Programmability

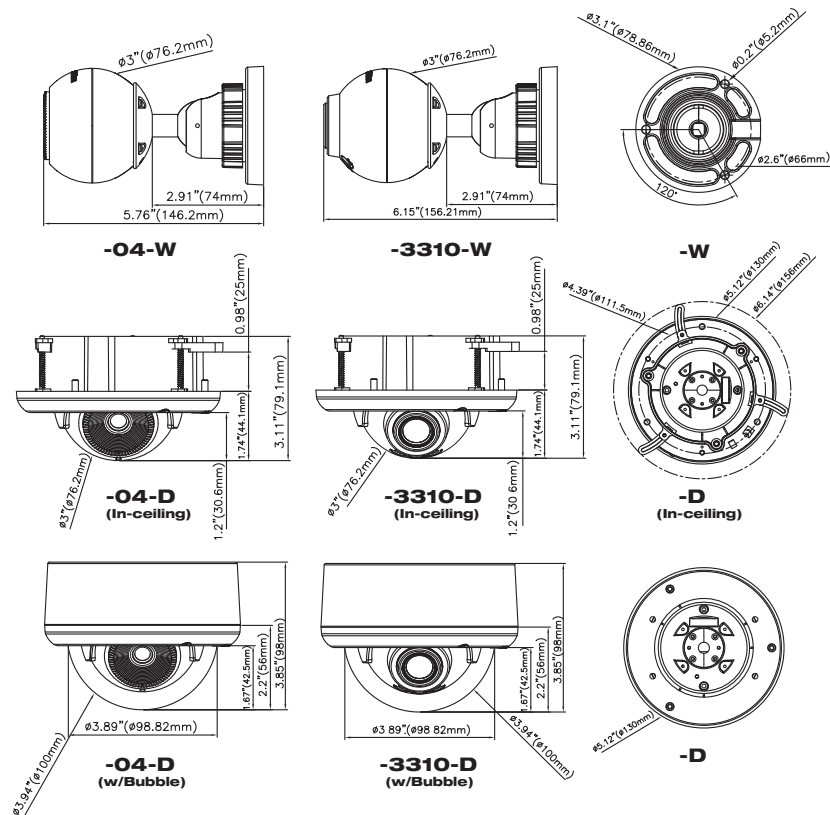
- Auto adjustment between WDR and LDR modes
- Binning Mode (AV3146)
- Flexible cropping
- Low-light noise filter control
- Bit rate and bandwidth limitation control
- Shutter Speed: 1ms–500ms
- Backlight compensation and auto multi-matrix white balance
- On-camera motion detection and privacy mask w/1024 detection zones
- 50/60Hz selectable flicker control
- Electronic pan, tilt, zoom (PTZ) and image flip (180° rotation)
- Programmable resolution, brightness, saturation, gamma, sharpness, tint

Electrical

- General purpose opto-isolated input and output
- Power over Ethernet (PoE): PoE 802.3af for camera
- Auxiliary power 12–48V DC, 24V AC
- Power consumption: PoE Class II, DC = 6.0 Watts maximum

Mechanical

- Casing:
 - Die-cast aluminum 3" metal ball and mount (-W models)
 - Plastic surface/in-ceiling dome w/polycarbonate bubble (-D models)
- Embedded in-ceiling mount (-D models)
- External lens adjustment for zoom, focus and iris (-3310 models)
- External lens adjustment for focus (-04 models)
- Easy 3-axis camera adjustment w/360° pan, 90° tilt and 360° z-axis
- Total Unit Dimensions:
 - Ø 3" (76.2mm) x 5.76" H (146.2mm) (-04-W models)
 - Ø 3" (76.2mm) x 6.15" H (156.2mm) (-3310-W models)
 - Ø 5.1" (130mm) x 1.74" H (44mm) (-D models, in-ceiling)
 - Ø 5.1" (130mm) x 3.85" H (98mm) (-D models, surface w/bubble)
- Weight: 1.2lbs (0.54kg)



Accessories

- D4S-WMT-B: Wall Mount w/3/4" NPT
- D4S-CMT-B: Pendant Mount w/3/4" NPT